

primaflo®

FLOking®

POSiFlo®

THE
3000
SERIES

7 & 10 L/M MARINE PUMPS




leisure accessories

EXPERT GB FLUID TECHNOLOGY

SPECIFICATION

Pump design: positive displacement, 3-chamber diaphragm pump.

Check valve: prevents reverse flow.

Motor: permanent magnet, thermally protected, continuously rated 12V or 24V DC

Pressure switch: fully sealed and splash proof. Adjustable from 1.1 to 2.1 bar (standard) or 2.1 to 3.1 bar (high pressure - specify).

Liquid Temperature: + 54°C max.

Ports: ½ inch male parallel thread.

Duty cycle: continuous

Construction materials:

Plastics - polypropylene

Valves - EPDM

Diaphragm - santoprene

Fasteners - stainless steel

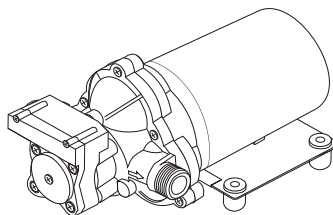
Model Numbers:

7 L/M 12V - 3000-151-1212 (AM 3000-151-1214)

7 L/M 24V - 3000-173-1212 (AM 3000-173-1214)

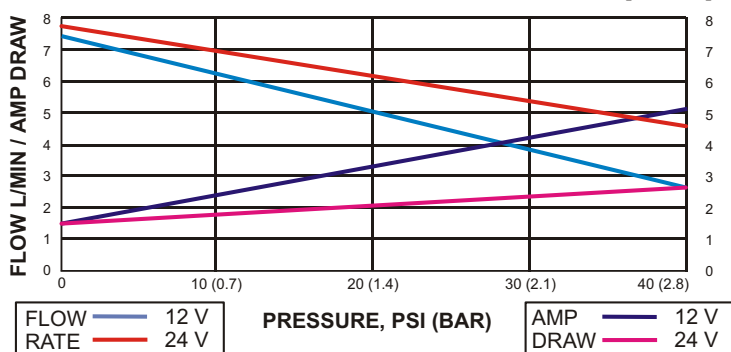
10 L/M 12V - 3000-161-1312 (AM 3000-161-1314)

10 L/M 24V - 3000-171-1312 (AM 3000-171-1314)

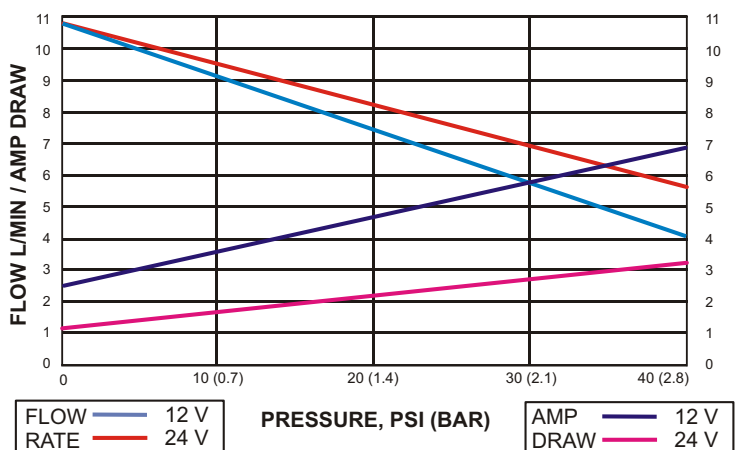


TYPICAL PERFORMANCE

7 litre/min 12v & 24v fresh water pump



10 litre/min 12v & 24v fresh water pump



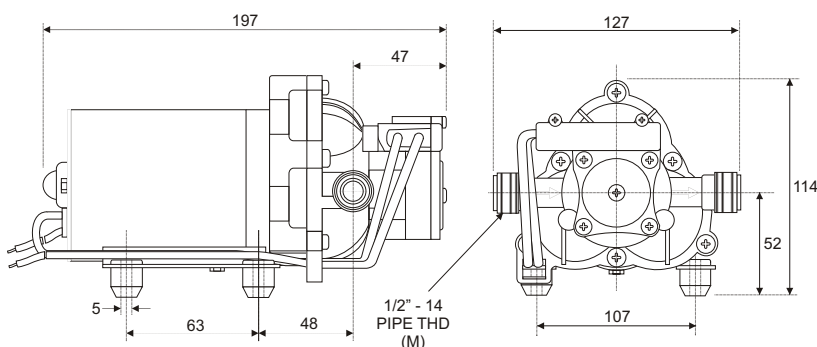
- Fully automatic 3 chamber diaphragm pump.
- Purpose-designed for marine use.
- Splash-proof pressure switch.
- Quiet and smooth performance.
- Self-priming.
- Runs dry without damage.
- Continuously rated, balanced motor with overload protection for long life.
- Energy efficient - low amp draw.
- Ignition protected for safety (BS EN28846 / ISO 8846 Marine).
- Conforms to the requirements of EMC (EN50081 & EN55014).
- Durable, heavy duty quality construction ensures service reliability.
- 2 year warranty.
- Manufactured in the United Kingdom.



ADDITIONAL MODELS AVAILABLE FOR MARINE USE: 12 L/M 12v, 12 L/M 24v, 14 L/M 12v, & 14 L/M 24v.

FOR MOTORHOME, CARAVAN, AND OTHER APPLICATIONS PLEASE REQUEST DETAILS.

DIMENSIONS (mm)



All data is approximate. FLOking, POSiflo and Primaflo are registered trademarks.

We reserve the right to change specifications and dimensions without notice.

© Leisure Accessories Ltd. 2005

leisure accessories

BRITANNIA WORKS, HURRICANE WAY,
AIRPORT INDUSTRIAL ESTATE, NORWICH,
NR6 6EY, UNITED KINGDOM.

Telephone: +44 (0)1603 414551

Fax : +44 (0)1603 789026

E.mail : leisureacc@aol.com

Website : www.leisureacc.com

Distributed by: